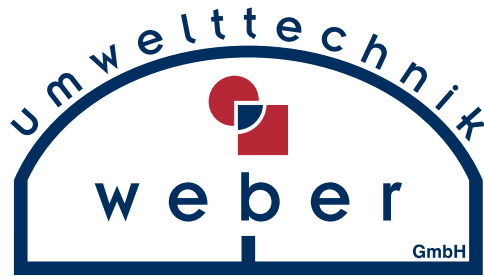


**NEW**



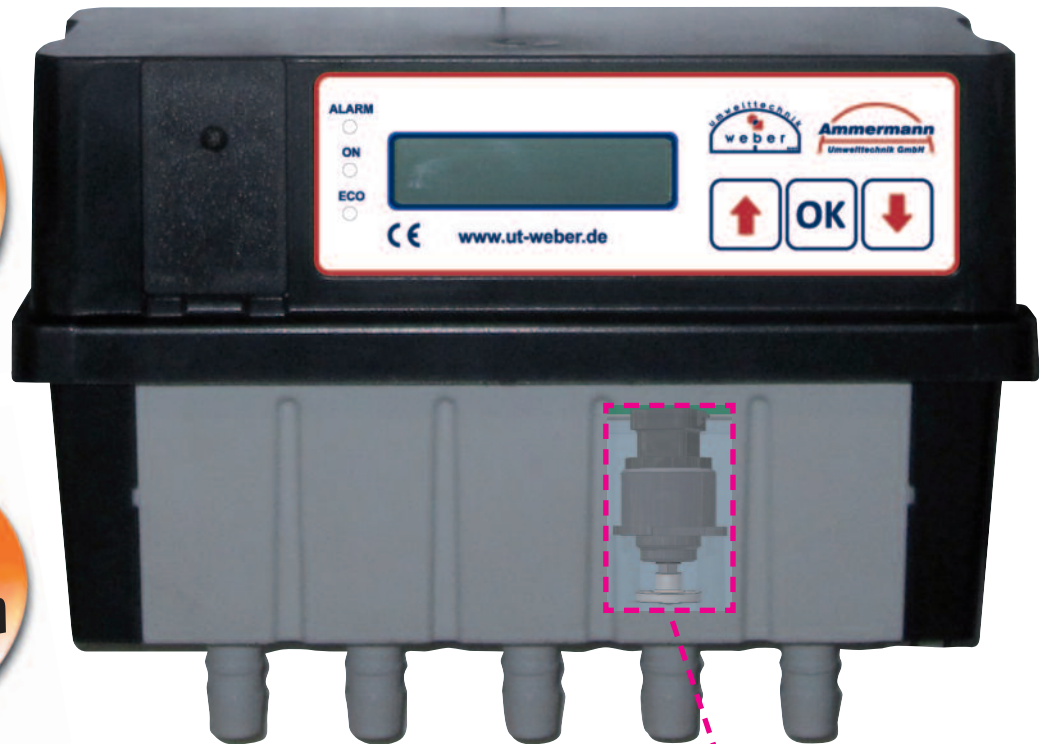
Sewage treatment technology at highest level

# ECOcompact

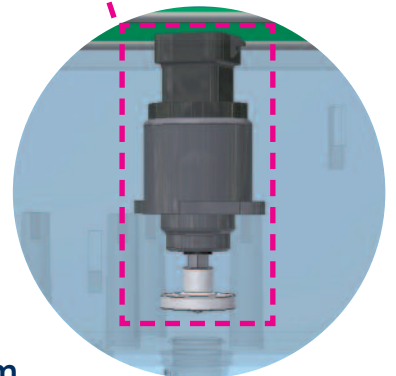
The small sewage treatment plant control with the most up-to-date stepper motor technology

Use it  
straight away with our  
SBR-small sewage plant  
"Aquapur"

**- 95%**  
energy consumption



- latest proven stepper motor technology from the automotive engineering industry
- integrated pressure monitoring without float switch
- high water sensor by pressure measurement
- 95% energy saving compared to magnetic valves technology
- integrated economy and holiday switching
- use of energy-optimized compressors
- easy change system – control unit change with click system



## Valves

Instead of using magnetic valves as in the past, the ECOcompact operates with reliable and long-term proven stepper motors, which have been used successfully in the automotive industry for many years.

What are the differences?

Magnetic valves always require electricity while they are open – i.e. a duration of up to 7-10 hours per day. During that time energy is consumed. Stepper motors require energy during opening and closing for a few seconds only. Therefore the energy saving can be as much as an incredible 95%. The noise of switching magnetic valves on and off is disturbing. This “clicking” is not present in stepper motors – they opened and close almost soundlessly.

## Safety

As standard our control units have a pressure sensor. The measurement is made by pressure – with no additional float switch.

## Operation

Operation is very easy using 3 control buttons.

## Energy

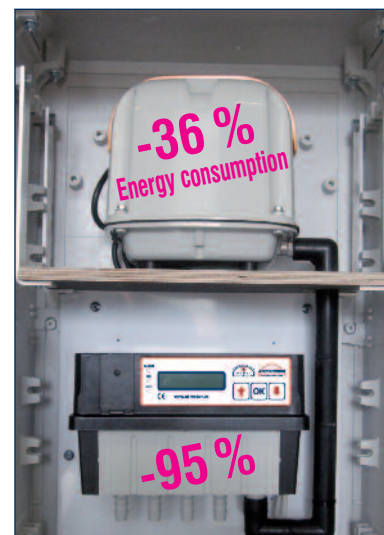
An important topic nowadays is energy consumption. By using stepper motors instead of magnetic valves you save 95% energy. An integrated and intelligent switching reacts in the event of reduced usage or low usage during holidays. Along with the new control unit technology for our SBR-plant Aquapur, we use new, powerful energy-saving pumps. The overall energy saving can be as much as about 40% without loss of power. That protects the environment and saves money.

## SBR-small sewage treatment plant AquaPur

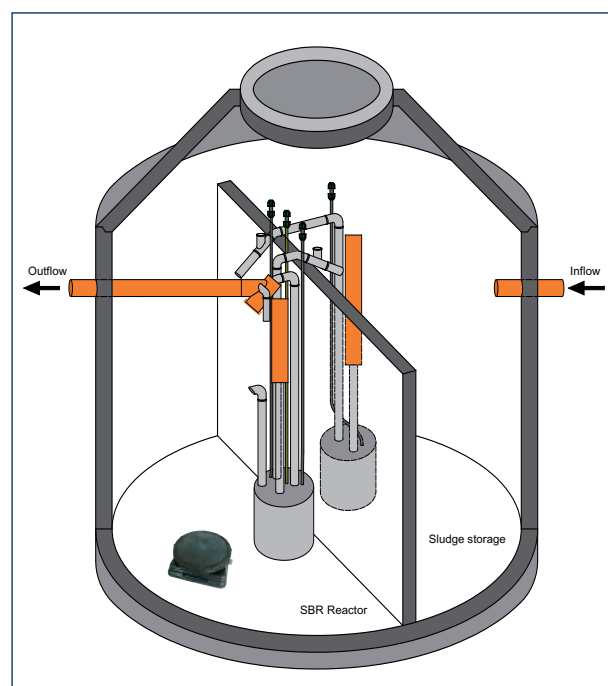
**ECOcompact** is available for our SBR-plant Aquapur. The plants are perfectly suitable for new installations in concrete or PE tanks and for refitting for all normal types of tank. All types are tested and issued with the required General Building Inspectorate Approval, CE-marking etc. The system is forward-looking, durable and has the most modern plant technology with outstanding, cleaning performance. The system works on the principle of the mammoth pump, whereby pumps and electric plant components in waste water have been dispensed with.

**Our plants have proven their worth more than 10,000 times!**

**More information at: [www.ammermann-gmbh.de](http://www.ammermann-gmbh.de)**



Cabinet with control unit and energy-saving pump



SBR-System with “Chicago Boots”



Am Dobben 4 · 26639 Wiesmoor · Germany  
Phone: + 49 (0) 49 44 / 60 60  
Fax: + 49 (0) 49 44 / 60 61  
email: [info@ammermann-gmbh.de](mailto:info@ammermann-gmbh.de)

Distributor: